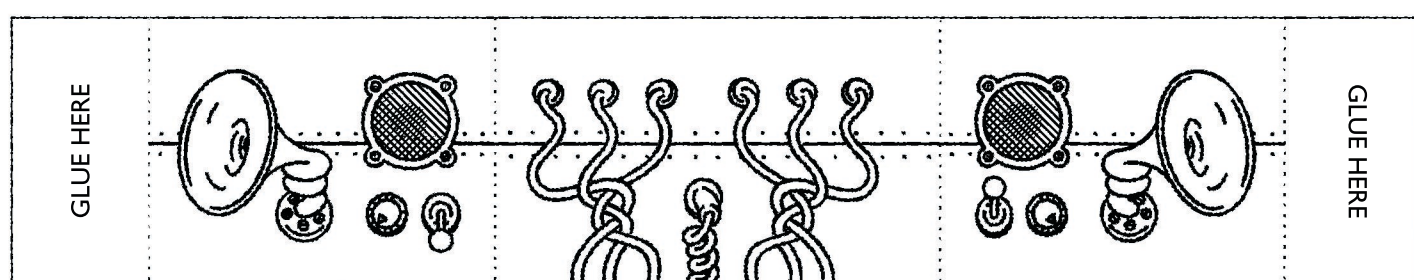
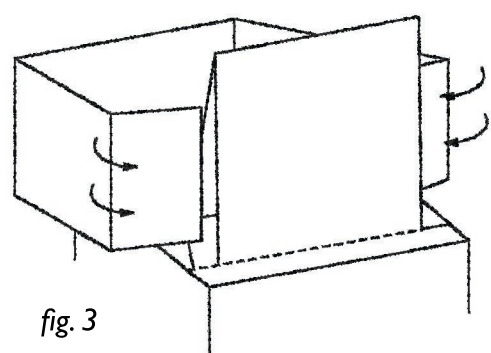
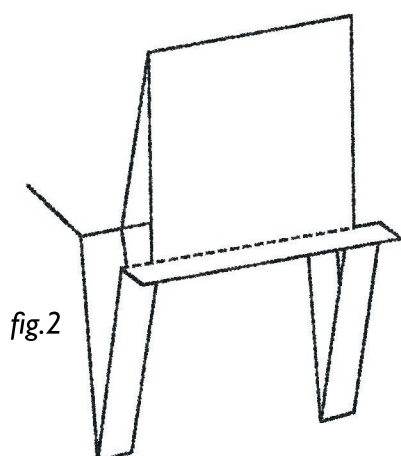
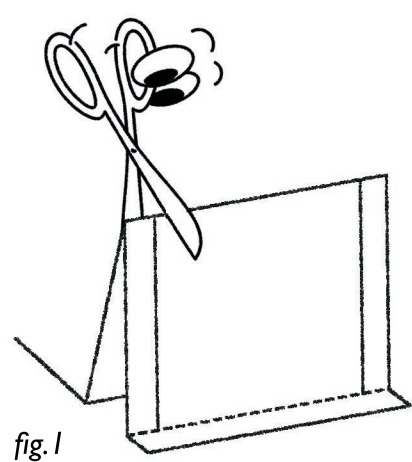
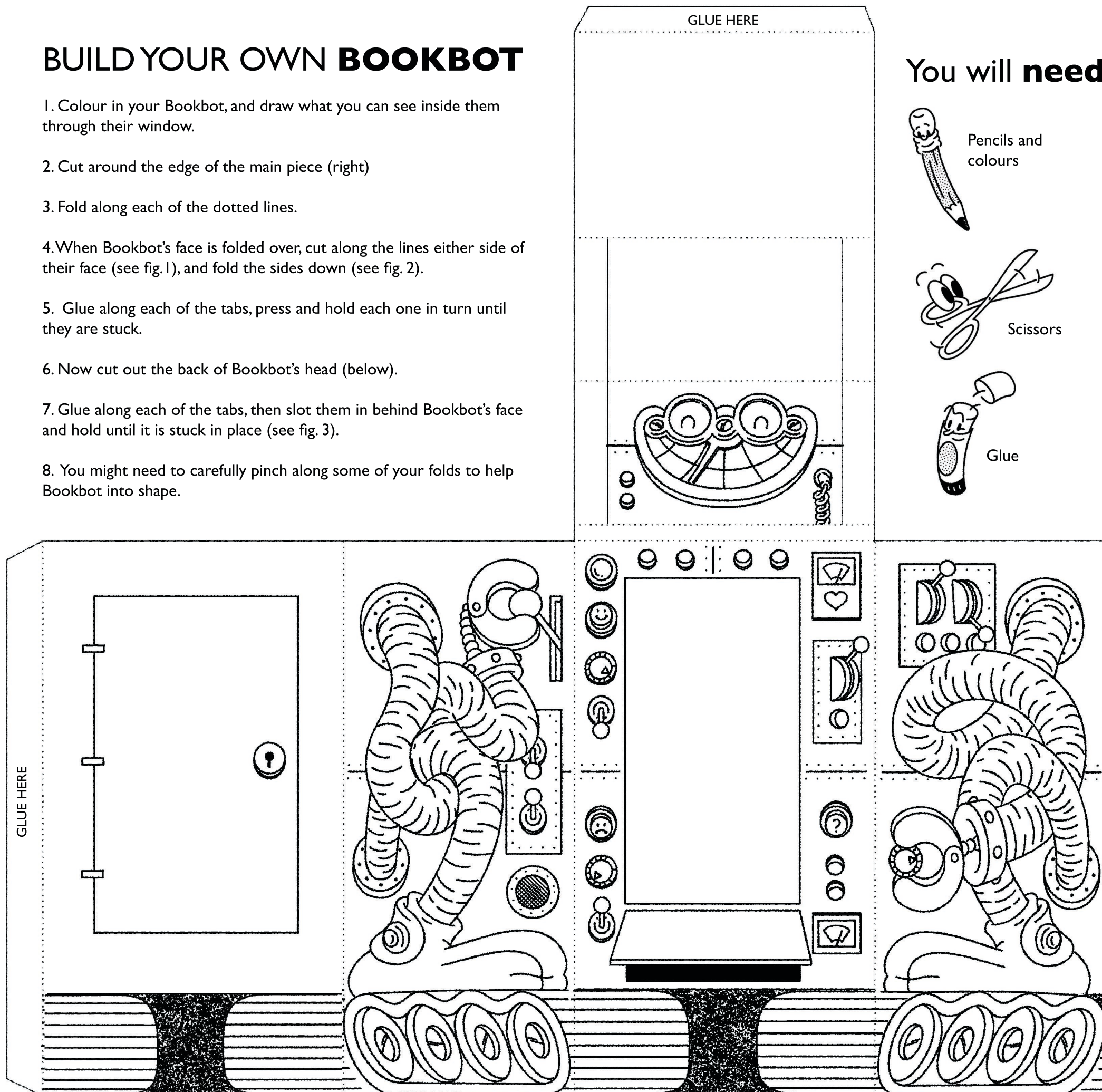
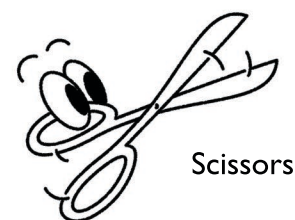
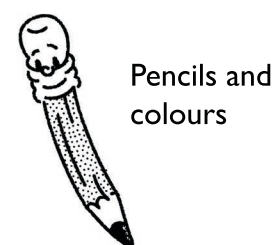


BUILD YOUR OWN BOOKBOT

1. Colour in your Bookbot, and draw what you can see inside them through their window.
2. Cut around the edge of the main piece (right)
3. Fold along each of the dotted lines.
4. When Bookbot's face is folded over, cut along the lines either side of their face (see fig. 1), and fold the sides down (see fig. 2).
5. Glue along each of the tabs, press and hold each one in turn until they are stuck.
6. Now cut out the back of Bookbot's head (below).
7. Glue along each of the tabs, then slot them in behind Bookbot's face and hold until it is stuck in place (see fig. 3).
8. You might need to carefully pinch along some of your folds to help Bookbot into shape.

You will need



MINISTRY OF STORIES